



**Bulletin 4480-T30-US**

June, 2017

---

# Karrykrimp Technical Manual



**Safety Notices**

- Read the entire Technical Manual prior to mounting and operating this crimper.
- There are Parkrimp training videos available to view online at: <http://solutions.parker.com/hpd-product-videos>

**WARNING** — When using this machine, always exercise basic safety precautions, including but not limited to the following:

1. Use this machine only for its intended purpose: to fabricate Parker hose assemblies.
2. Parker Hannifin will not accept responsibility for any incidental, consequential or special damages of any kind or nature whatsoever that result from any subsequent alterations to any Parkrimp machine. Parker Hannifin disclaims any warranties on items altered after leaving the Parker Hannifin facility.
3. This machine must be properly installed and located in accordance with the installation instructions before it is used.

To minimize the possibility of injury:

1. The power unit must be connected to a grounded properly rated, protected and sized power-supply circuit to prevent electrical shock and to avoid electrical overload;
2. Do not operate over maximum rated working pressure;
3. Check for safe system setups.

Make sure that the valve, connecting hoses, etc. are protected from any external source of damage, such as: excessive heat, flame, moving machine parts, sharp edges, falling objects, corrosive chemicals, etc.

IMPORTANT SAFETY NOTICE

THIS INFORMATION IS INTENDED FOR USE BY INDIVIDUALS POSSESSING ADEQUATE BACKGROUNDS OF ELECTRICAL, ELECTRONIC AND MECHANICAL EXPERIENCE. ANY ATTEMPT TO REPAIR THIS MACHINE MAY RESULT IN PERSONAL INJURY AND PROPERTY DAMAGE. THE MANUFACTURER OR SELLER CANNOT BE RESPONSIBLE FOR THE INTERPRETATION OF THIS INFORMATION, NOR CAN IT ASSUME ANY LIABILITY IN CONNECTION WITH ITS USE.

DISCONNECT ANY POWER CORD BEFORE SERVICING  
IMPORTANT - RECONNECT ALL GROUNDING DEVICES



**Parker Safety Guide for Selecting and Using Hose, Tubing, Fittings and Related Accessories**  
Publication No. 4400-B.1  
Revised: August 2007

**WARNING:** Failure or improper selection or improper use of hose, tubing, assemblies, fittings, quick action couplings or related accessories ("Products") can cause death, personal injury and property damage. Possible consequences of failure or improper selection or improper use of these Products include but are not limited to:

- Fittings thrown off at high speed.
- High velocity fluid discharge.
- Explosion or burning of the conveyed fluid.
- Electrocutation from high voltage electric power lines.
- Contact with suddenly moving or falling objects that are controlled by the conveyed fluid.
- Injections by high-pressure fluid discharge.
- Dangerously whipping hose.
- Contact with conveyed fluids that may be hot, cold, toxic, or otherwise injurious.
- Sparking or explosion caused by static electricity buildup or other sources of electricity.
- Sparking or explosion while spraying paint or flammable liquids.
- Injuries resulting from inhalation, ingestion or exposure to fluids.

Before selecting or using any of these Products, it is important that you read and follow the instructions below. Only Hose from Parker's Stratoflex Products Division is approved for in-flight aerospace applications.

**Offer of Sale**

The items described in this document are hereby offered for sale by Parker Hannifin Corporation, its subsidiaries or its authorized distributors. This offer and its acceptance are governed by the provisions stated in the "Offer of Sale".

---

**Table of Contents**

Safety Notice .....2

Specifications .....4

Accessories .....5

Installation and Operation.....6-7

Tools and Dies .....8

Tool Selection Chart.....9

Crimping Instructions ..... 10

Assembly Details and Parts Lists ..... 11-14

Trouble Shooting ..... 15

Maintenance ..... 16

Safety Guide (Parker Publication 4400-B.1)..... 17-20

Offer of Sale.....21-22

---

**Help us help you ...**

**Read this guide carefully.**

**It is designed to help you operate and maintain your Karrykrimp. If you do not understand something or need more help, call:**

Technical Service Department  
Parker Hannifin Corporation  
Hose Products Division  
Phone: (440) 943-5700  
Fax: (440) 943-3129

Write down the Model and Serial Numbers:

82C-  
\_\_\_\_\_

Model Number

\_\_\_\_\_

Serial Number (Located on rear of cylinder)

Use these numbers in any correspondence or service calls.

**RECEIVING INSTRUCTIONS: UNPACKING** – Remove all documents and components from shipping containers.

**INSPECTION** – Visually inspect all components for shipping damage. If any shipping damage is found, notify the carrier at once. Shipping damage is not covered by the Parker warranty. The carrier is responsible for all repair and replacement costs resulting from such damage.



**Specifications**

**Technical Manual  
Karrykrimp**

**82C-061L**



**Dimensions:** Height 30"  
Depth 12"  
Width 15"

**Weight:** 70 lbs. (Base unit without power unit)

**Capabilities:** 25, 26, 43, 81 and HY series (steel fittings only).

**Note:** For the latest crimper compatibility; reference CrimpSource online at [www.parkerhose.com](http://www.parkerhose.com) or contact your Parker products supplier.

**Set up time:** 20 seconds

**Full cycle time:** 30 seconds with 82C-OEP Power Unit (1/2" 43 Series)

**Note:** Cycle times vary depending on hose and fitting styles and sizes.

**82C-KKB**



**Capability**

- Up to 1-1/4" ID 2 wire braided hose
- Up to 5/8" ID 4 wire spiral hose
- Only steel fittings

**Features**

- Faster cycle times on bench mounted units
- Pivoting pusher design for easy die change out
- Compact bench mount design
- Increased height enables longer bent tube fittings to be crimped
- For use with 25, 26, 43, 81, and HY Series (steel) fittings only.

**Specifications**

- Dimensions: 19" wide, 23" deep, 27-1/2" high
- Weight: 220 lbs
- Rating: 30 ton force @ 10,000 psi maximum
- Full Cycle Time: 8 seconds (1/2" 43 Series)
- Hydraulic Fluid: Enerpac Oil
- This unit is designed to make about 200 crimps per day and is not designed to be a production crimper. Exceeding these suggested production amounts will significantly reduce the life expectancy of the crimper components.

**\*Note:** Power unit is factory wired to operate at 115 volt. **A 20 amp dedicated circuit is required to operate at this voltage. Do not use extension cords to operate this machine.**

The electric motor is dual voltage, 50/60 HZ, suitable for 208-230/115 volt. The motor and control circuit can be rewired by a qualified electrician to operate at alternate voltage. See motor name plate and wiring diagrams.

**Hand Pump**

Part No. 82C-0HP



*(for use with the Minikrimp, Karrykrimp and Karrykrimp 2)*

Ease of operation hand pump delivers 10,000 psi

Length: 23"  
Width: 4"  
Height: 5"  
Port Size: 3/8" NPTF  
Weight: 9 lbs  
Hydraulic Fluid: Enerpac oil

**Hand Pump**

Part No. 85C-0HP



*(for use with the Minikrimp, Karrykrimp and Karrykrimp 2)*

Ease of operation hand pump delivers 10,000 psi

Length: 29"  
Width: 13"  
Height: 11"  
Port Size: 3/8" NPTF  
Weight: 61 lbs  
Hydraulic Fluid: Enerpac oil

**Electric Pump**

Part No. 82C-0EP



*(for use with the Minikrimp, Karrykrimp and Karrykrimp 2)*

Ease of operation hand pump delivers 10,000 psi

Length: 13"  
Width: 13"  
Height: 15"  
Port Size: 3/8" NPTF  
Weight: 31 lbs  
Hydraulic Fluid: Enerpac oil  
115 volt, 1 phase, 50/60 Hz, 9 amp

**Electric Pump**

Part No. 85C-0EP



*(for use with the Minikrimp, Karrykrimp and Karrykrimp 2)*

Heavy duty electric pump delivers 10,000 psi at a faster cycle time

Length: 19"  
Width: 11"  
Height: 17"  
Port Size: 3/8" NPTF  
Weight: 59 lbs  
Hydraulic Fluid: Enerpac oil  
115 volt, 1 phase, 50/60 Hz, 20 amp

**Air/Hydraulic Pump**

Part No. 82C-0AP



*(for use with the Minikrimp, Karrykrimp and Karrykrimp 2)*

Lightweight pump operates with 80-125 psi shop air pressure and delivers 10,000 psi

Length: 15"  
Width: 6"  
Height: 6"  
Intake Port Size: 1/4" NPTF  
Output Port Size: 3/8" NPTF  
Weight: 14 lbs  
Hydraulic Fluid: Enerpac oil

**Vehicle Battery-Powered Pump**

Part No. 85C-12V



*(for use with the Minikrimp, Karrykrimp and Karrykrimp 2)*

Ideal unit for Parker Mobile Hose Preplacement Service, Delivering 10,000 psi.

Length: 12"  
Width: 8"  
Height: 19.5"  
Weight: 67 lbs  
Hydraulic Fluid: ISO-46

**Installation and Operation 82C-061L**

1. Remove crimper and all accessories from shipping crate. Verify that you have received the following items:

- Crimp Head                    82C-CHD
- Silver Die Ring            82C-R01
- Black Die Ring             82C-R02
- Hose Assembly            85C-00L
- Stand Assembly            85C-STD
- Technical Manual         4480-T30-US
- Grease

2. Assemble crimper base unit to stand as shown in Figure 2. Place machine on sturdy bench. It is recommended that the machine be bolted to the bench. Two 1/2" holes are provided in the stand for this purpose. Make sure crimper base overhangs bench to allow access from below base plate.

3. Connect hose assembly to power unit and to crimper cylinder. Follow instructions supplied with power unit for venting, checking oil level, or general usage.

4. Place die ring in position on crimper base. Cycle cylinder up and down a few times to purge air from system. Recheck oil level in power units. Make sure cylinder is fully retracted before adding any hydraulic oil.

5. Your machine is now ready for use. Please read the remainder of this manual before proceeding to crimp any hose assembly. Crimping instructions can be found on Page 10.



Figure 2



**Installation and Operation 82C-KKB**

1. Remove crimper and all accessories from shipping crates. Verify that you have received the following items:

- Crimp Head                    82C-CHD
- Silver Die Ring            82C-R01
- Black Die Ring             82C-R02
- Power Unit Assembly      85C-ZPH
- Technical Manual         4480-T30-US
- Grease
- Reservoir Breather Cap
- 2) 1" Jam Nuts

2. Place the power unit assembly on a sturdy bench. Assemble the crimp head to power unit bracket and secure with the provided one inch jam nuts (2), as shown on page 13. Connect hose to cylinder coupler and power unit adapter. It is recommended that the machine be bolted to the bench. Four 7/16" holes are provided in the mounting plate for this purpose. Make sure the crimper base plate overhangs the bench to allow access.

3. **Plug power unit into a properly rated power source. Do not use an extension cord to operate this machine. Note the power unit is supplied with a 115 volt, 15 amp plug. A 20 amp circuit is required for frequent full pressure use.** This machine has a power on/off switch located on top of the electrical box attached to the motor. There is a Thermal Overcurrent Circuit Breaker mounted on the rear of the electrical box for added protection. Move the on/off switch to the on position and the electric motor will start. Press the pendant button in the advance or retract direction to move the cylinder down or up. Releasing the pendant button at any time will cause the cylinder to stop and hold position. Move the on/off switch to the off position to stop the electric motor.

4. This machine may have been shipped with a plug in the reservoir breather port. Remove this plug and replace with the included breather cap. Check reservoir oil level prior to startup. Oil should be visible through sight glass on the side of reservoir. Add Enerpac hydraulic oil if necessary.

5. Place a die ring in position on crimper base. Move the power switch to the ON position to start motor. Press and hold the pendant switch in the ADV direction to advance the cylinder. When the switch is released, the cylinder will stop and hold in position. Press and hold the pendant switch in the RET direction to allow the cylinder to retract. Cycle the cylinder up and down a few times to purge air from the system. Recheck oil level in power unit, make sure the cylinder is fully retracted before adding oil.

6. Your machine is now ready for use. Please read the remainder of this manual before proceeding to crimp hose assemblies.

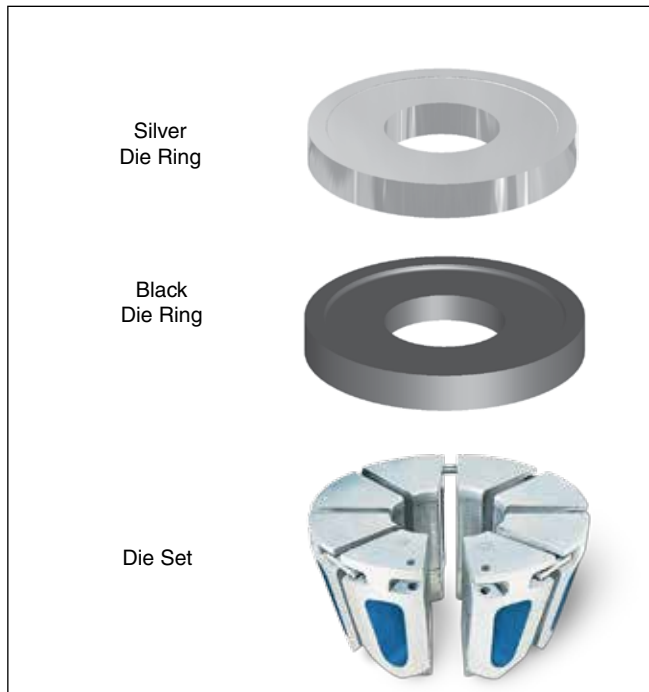


Figure 3

**Tools & Dies**

The following crimping dies are available for use with the Karrykrimp machine:

| Fitting Series                    | -4<br>RED | -5<br>PUR | -6<br>YEL | -8<br>BLU | -10<br>ORG | -12<br>GRN | -16<br>BLK | -20<br>WHT |
|-----------------------------------|-----------|-----------|-----------|-----------|------------|------------|------------|------------|
| Die Part Number                   | 80C-A04   | 80C-A05   | 80C-A06   | 80C-A08   | 80C-A10    | 80C-A12    | 80C-A16    | 80C-A20    |
| 43 Series                         |           |           |           |           |            |            |            |            |
| Die Part Number                   |           |           | 80C-Y06   | 80C-Y08   |            |            |            |            |
| 25 Series                         |           |           |           |           |            |            |            |            |
| Die Part Number                   | 80C-E04   | 80C-E05   | 80C-E06   | 80C-E08   | 80C-E10    | 80C-E12    | 80C-E16    |            |
| 26 Series                         |           |           |           |           |            |            |            |            |
| Die Part Number                   |           |           |           |           |            | 80C-V12    | 80C-V16    | 80C-V20    |
| 81 Series                         |           |           |           |           |            |            |            |            |
| Die Part Number                   | 80C-H585  |           |           | 80C-H735  | 80C-H840   | 80C-H970   | 80C-H1120  |            |
| HY Series<br>AX Hose              |           |           |           |           |            |            |            |            |
| Die Part Number                   | 80C-H605  |           |           | 80C-H775  | 80C-H885   | 80C-H1010  | 80C-H1170  |            |
| HY Series<br>BXX Hose             |           |           |           |           |            |            |            |            |
| Die Part Number                   | 80C-H595  |           |           | 80C-H735  | 80C-H860   | 80C-H1015  | 80C-H1170  | 80C-H1365  |
| HY Series<br>611HT, 801, 836 Hose |           |           |           |           |            |            |            |            |



The Karrykrimp can be used to crimp some Parflex Division Products. Please contact Parker Parflex Division for more information.

The 43 Series dies are silver and inserts are color coded by size. Refer to the die selection chart, Parker Catalog 4400 or CrimpSource online, at [www.parkerhose.com](http://www.parkerhose.com) to determine which die set and die ring to use when crimping a particular fitting, hose size and type.

The following tooling is used for crimping:

82C-R01 Silver Die Ring

To determine when to use, refer to die selection chart in Parker Catalog 4400 or decal on front of crimper.


82C-R02 Black Die Ring

To determine when to use, refer to die selection chart in Parker Catalog 4400 or decal on front of crimper.

See above for die set part numbers.



Tool Selection Chart

|  Parker Hannifin Corporation<br>Hose Products Division<br>30240 Lakeland Blvd.<br>Wickliffe, Ohio 44092  |  | Karrykrimp/Karrykrimp Bench Mount<br>Hose Die Selection Chart |                |                |                |  |                |                |                |                | Die Ring |
|---|--|---|----------------|----------------|----------------|--|----------------|----------------|----------------|----------------|----------|
| Filing Series   | HOSE   | -4<br>RED   | -5<br>PUR      | -6<br>YEL      | -8<br>BLU      | -10<br>ORG   | -12<br>GRN     | -16<br>BLK     | -20<br>WHT     | Die Ring       |          |
| 43 Series   | Die Part Number  | 80C-A04   | 80C-A05        | 80C-A06        | 80C-A08        | 80C-A10  | 80C-A12        | 80C-A16        | 80C-A20        |                |          |
|   | 351ST/TC, 422, 424, 426, 431, 436, 451ST/TC, 471ST/TC, 472LT<br>387/387ST/TC (-4 THRU -16), 482ST/TC, 487/487ST/TC (-4 THRU -12)<br>787/787ST/TC (-4 AND -6), 797/797ST/TC (-4 AND -6) | 0.645<br>0.665  | 0.710<br>0.730 | 0.825<br>0.845 | 0.945<br>0.965 | 1.060<br>1.080   | 1.245<br>1.265 | 1.590<br>1.610 | 1.970<br>1.990 | SILVER         |          |
|   | 421WC 301LT 341 601 881<br>302 304 381 604<br>722/722ST/TC/LT (-6, -8, -10 ONLY)   | 0.685<br>0.705  | 0.750<br>0.770 | 0.865<br>0.885 | 0.985<br>1.005 | 1.100<br>1.120   | 1.285<br>1.305 | 1.630<br>1.650 | 2.010<br>2.030 | BLACK          |          |
| 25 Series   | Die Part Number  |   |                | 80C-Y06        | 80C-Y08        |  |                |                |                |                |          |
|   | 271  |   |                | 0.680<br>0.700 | 0.825<br>0.845 |  |                |                |                | SILVER         |          |
| 26 Series   | Die Part Number  | 80C-E04   | 80C-E05        | 80C-E06        | 80C-E08        | 80C-E10  | 80C-E12        | 80C-E16        |                |                |          |
|   | 213 285 293  | 0.460<br>0.480  | 0.520<br>0.540 | 0.575<br>0.595 | 0.670<br>0.690 | 0.805<br>0.825   | 0.915<br>0.935 | 1.175<br>1.195 |                | SILVER         |          |
|   | 201 206 221FR<br>225 226<br>266 SS25UL   | 0.500<br>0.520  | 0.560<br>0.580 | 0.615<br>0.635 | 0.710<br>0.730 | 0.845<br>0.865   | 0.955<br>0.975 | 1.215<br>1.235 |                | BLACK          |          |
| 81 Series   | Die Part Number  |   |                |                |                |  | 80C-V12        | 80C-V16        | 80C-V20        |                |          |
|   | 811 811HT 881  |   |                |                |                |  | 1.155<br>1.175 | 1.450<br>1.470 | 1.740<br>1.760 | SILVER         |          |
| HY Series   | Die Part Number  | 80C-H585  |                | 80C-H735       |                | 80C-H840   | 80C-H970       | 80C-H1120      |                |                |          |
|   | AX   | 0.575<br>0.595  |                | 0.725<br>0.745 |                | 0.830<br>0.850   | 0.960<br>0.980 | 1.110<br>1.130 |                | SILVER         |          |
|   | Die Part Number  | 80C-H605  |                | 80C-H775       |                | 80C-H885   | 80C-H1010      | 80C-H1170      |                |                |          |
|   | BXX  | 0.635<br>0.655  |                | 0.805<br>0.825 |                | 0.915<br>0.935   | 1.040<br>1.060 | 1.200<br>1.220 |                | BLACK          |          |
|   | Die Part Number  | 80C-H595  |                | 80C-H735       |                | 80C-H860   | 80C-H1015      | 80C-H1170      |                |                |          |
|   | 611HT  | 0.575<br>0.595  |                | 0.720<br>0.740 |                | 0.860<br>0.880   | 0.995<br>1.015 | 1.140<br>1.160 |                | SILVER         |          |
|   | Die Part Number  | 80C-H595  |                |                |                |  |                | 80C-H1015      | 80C-H1170      | 80C-H1365      |          |
|   | 801 836  | 0.575<br>0.595  |                |                |                |  |                | 0.995<br>1.015 | 1.140<br>1.160 | 1.350<br>1.370 | SILVER   |
| Die Part Number   |  |   |                | 80C-H735       |                | 80C-H860   |                |                |                |                |          |
| 801 836   |  |   |                | 0.755<br>0.775 |                | 0.890<br>0.910   |                |                |                | BLACK          |          |
| Caution: Read the operations and technical manual before attempting to operate this machine. Do not operate this machine without guard in place. Keep hands clear of moving parts when operating machine.   |  |   |                |                |                | Note: Do not use this machine to assemble 341-20, 451ST/TC-20, or any size stainless steel fittings. |                |                |                |                |          |
| Information on this decal is subject to change without notice. For the most current crimp specifications, please visit Crimpsource at <a href="http://www.parker.com/crimpsource">www.parker.com/crimpsource</a> . New decals can be ordered at Parker website <a href="http://parkercatalogs.mediaex.com">parkercatalogs.mediaex.com</a> . |  |   |                |                |                | Decal Part Number:<br>82C-CRIMPDECAL<br>REV. C   |                |                |                |                |          |

For Reference Only

Notes:

This chart is displayed on the front of the Karrykrimp machine.

The dies listed are interchangeable between all of the Parkrimp machines. The die rings are not interchangeable between machines. Use only 82C-R01 and 82C-R02 die rings on the Karrykrimp machine.

For a complete selection of hose and fittings, see Parker Catalog 4400.

Caution: To ensure consistent quality, crimp diameters must be checked:

1. After first assembly
2. At regular intervals during the production, such as first, last and every 50th assembly.

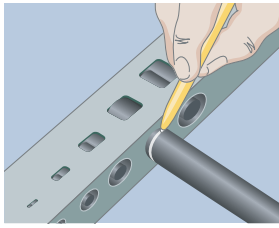
If you find your crimp diameters out of tolerance, inspect each assembly made. Never allow hose assemblies with an incorrect crimp diameter to be used. Use the appropriate Parker Machine Trouble Shooting Guide to determine the cause. If you are unable to determine the cause of the problem, call our Hose Products Division Technical Services Department at (440) 943-5700, for assistance.

Additional Hose Die Selection Charts are available upon request from your Parker supplier.

**Crimping Instructions**

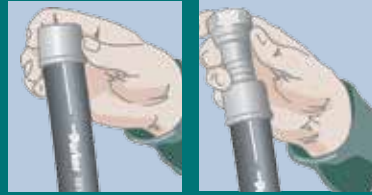
*Crimping instructions for 26, 43, 81 and HY Series Fittings*

**1 Mark insertion depth and push on fitting**



Mark the hose insertion depth and push hose into fitting until the mark on the hose is even with the end of the shell. Lubricate hose if necessary, however, **DO NOT lubricate if using spiral hose**. See Hose Insertion Depth table below.

**For 81 Series Shells with 88 Series Fittings**



Place shell onto end of hose and make sure the end of the shell lines up with the Insertion Depth mark.

Push hose onto the 88 Series fitting until the shell bottoms against the fitting's stop ring or hex. Lubricate hose if necessary.

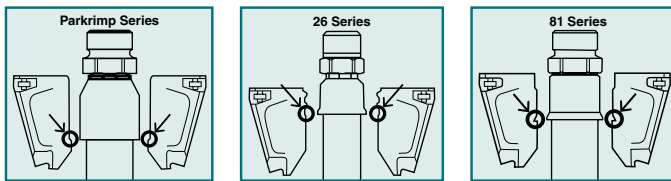
**2 Insert unitized die train**



Pull pin at the top of pusher to swing it back. Place unitized die-train into base plate. See decal on crimper for proper die set.

**Important:** Lubricate the crimper's die bowl using a MOLY-GRADE lithium-base grease.

**3 Position the fitting**



Position the hose and fitting in dies from below. Rest bottom of coupling on die step using the PARKALIGN® feature.

**4 Place die ring and crimp**



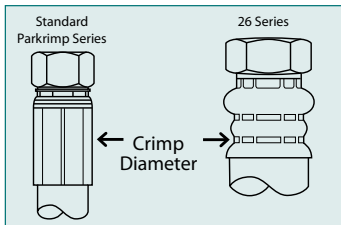
Place correct die ring on top of the dies. See decal on crimper for proper die ring.



Position pusher by replacing the pin and operate pump until the die ring bottoms out. Release pressure within the pump — remove finished assembly.

**Note:** Minikrimp, Karrykrimp & Karrykrimp 2 have several types of power sources, all of which are separate units from the crimping machine.

**5 Measure crimp diameter**



Measure crimp diameter on the flat surfaces of the crimped shell, referenced in the illustration to the left. Reference decal on crimper for crimp diameters. Never use hose assemblies with incorrect crimp diameters.

**Important:** Hose assemblies must be inspected for cleanliness and free of all foreign particles.

**Hose Insertion Depths in Inches**

| Hose by Dash Size | Fitting Series |       |       |       |       |
|-------------------|----------------|-------|-------|-------|-------|
|                   | 25             | 26    | 43    | 81    | HY    |
|                   | inch           | inch  | inch  | inch  | inch  |
| -4                |                | 0.812 | 0.812 |       | 1.380 |
| -5                |                | 0.812 | 0.937 |       | 1.410 |
| -6                | 0.875          | 0.812 | 1.125 |       | 1.350 |
| -8                | 0.875          | 0.812 | 1.312 |       | 1.440 |
| -10               |                | 0.875 | 1.562 |       | 1.460 |
| -12               |                | 0.875 | 1.500 | 1.125 | 1.550 |
| -16               |                | 1.000 | 1.750 | 1.250 | 1.690 |
| -20               |                |       | 1.875 | 1.312 |       |

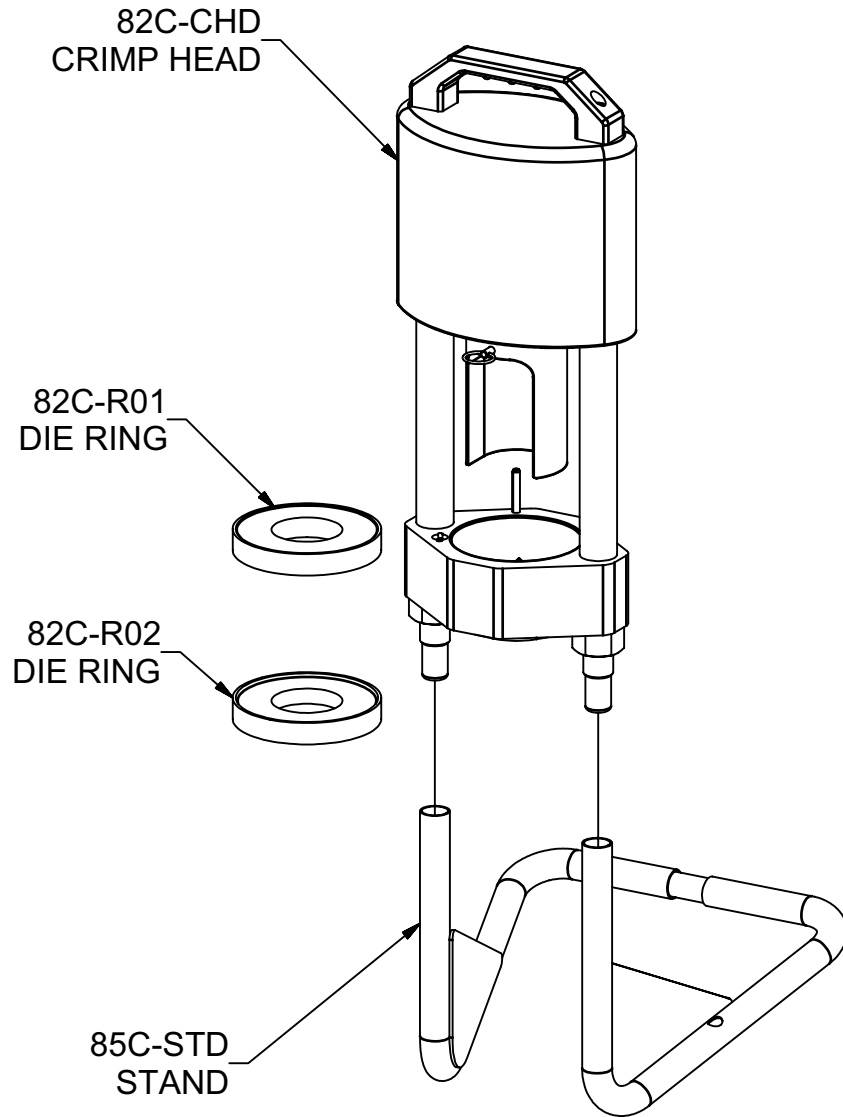
**Note:** See Hose Insertion Depth table at the left.

**Important:** Hose assemblies must be inspected for cleanliness and free of all foreign particles.

**Note:** Parker Hannifin will not accept responsibility for the operations of, or provide warranty coverage for, a crimper that is operated by a power unit other than equipment supplied by Parker Hannifin for the expressed purpose of operating the designated crimper.

Assembly Detail & Parts List

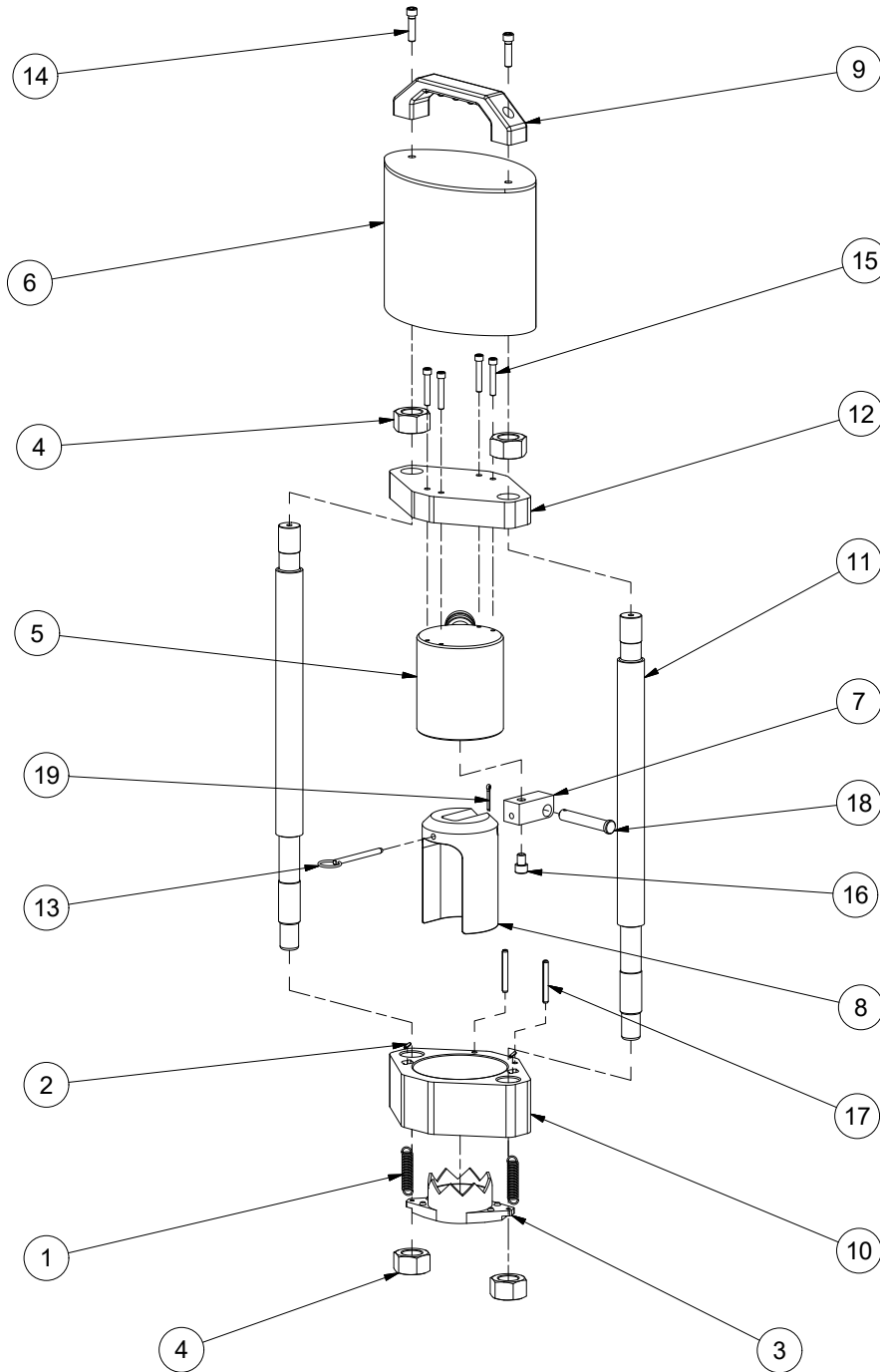
82C-061L



\*Includes hose assembly 85C-00L

Assembly Detail & Parts List

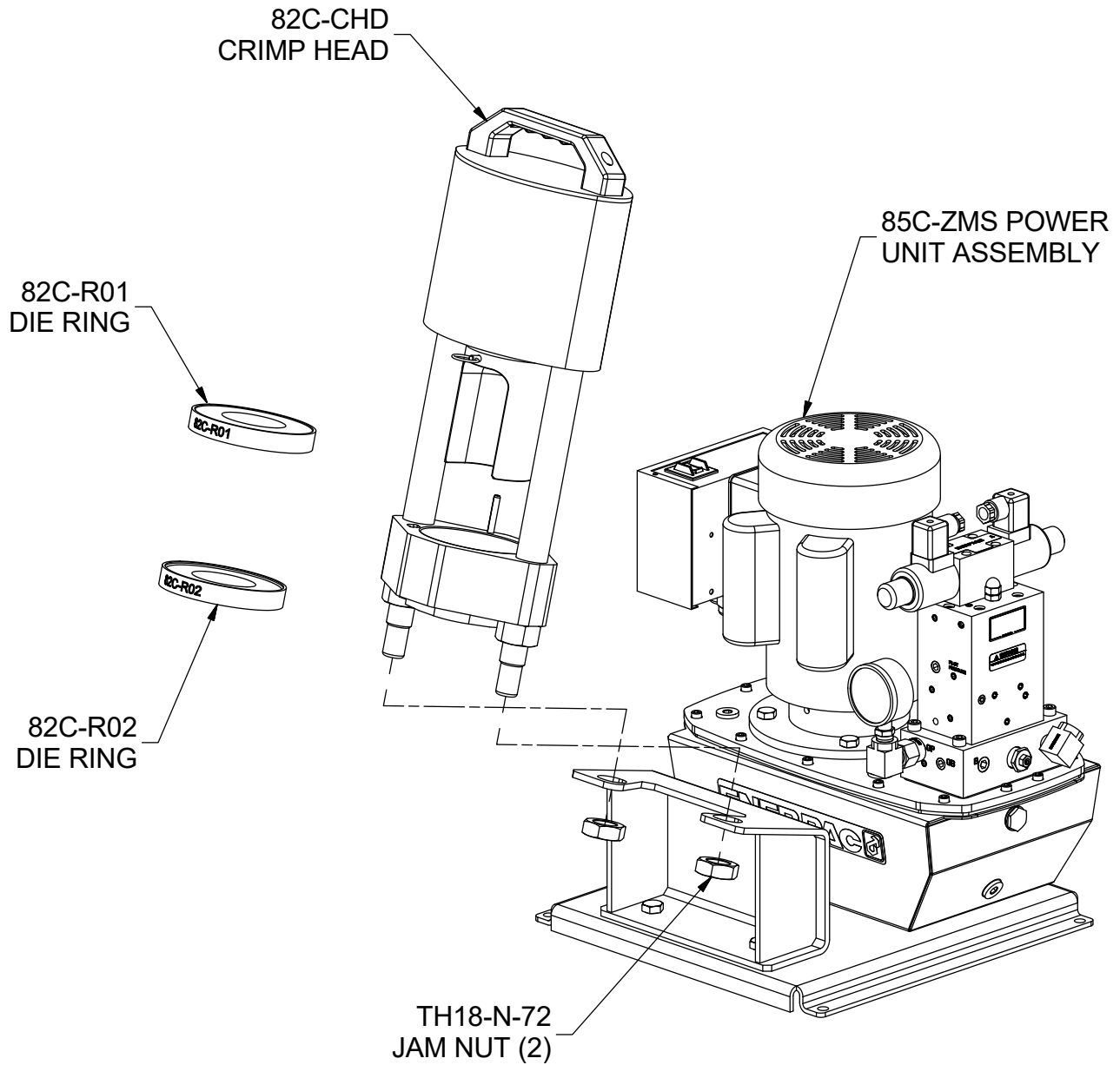
82C-CHD



| ITEM | QTY | PART NUMBER                         | DESCRIPTION            | ITEM | QTY | PART NUMBER     | DESCRIPTION                  |
|------|-----|-------------------------------------|------------------------|------|-----|-----------------|------------------------------|
| 1    | 2   | 792065                              | Extension Spring       | 13   | 1   | 85C-OLP         | Pusher Locator Pin           |
| 2    | 2   | 832001                              | 1/8" x 3/4" Spring Pin | 14   | 2   | TH18-B-4        | 5/16-18 x 1-1/4" SHCS        |
| 3    | 1   | 832013                              | Die Separator          | 15   | 4   | TH18-B-5        | 1/4-20 x 1-1/2 SHCS          |
| 4    | 4   | **Contact Parker for Availability** |                        | 16   | 1   | TH18-B-6        | 3/8-16 x 1/2" SHCS           |
| 5    | 1   | 950034                              | Cylinder               | 17   | 1   | TH18-P-2        | 1/4" x 2" Slotted Spring Pin |
| 6    | 1   | 82C-OCG                             | Cylinder Guard         | 18   | 1   | 82C-CLP         | Clevis Pin                   |
| 7    | 1   | 82C-OPB                             | Pusher Block           | 19   | 1   | 85C-CTP         | Cotter Pin                   |
| 8    | 1   | 82C-PHR                             | Pusher                 | 20   | 1   | DEC-Caution     | Caution Decal                |
| 9    | 1   | 82C-HND                             | Handle                 | 21   | 1   | 82C-Crimpedecal | Crimp Decal                  |
| 10   | 1   | **Contact Parker for Availability** |                        | 22   | 1   | DEC-SNBR        | Serial Number Decal          |
| 11   | 2   | **Contact Parker for Availability** |                        | 23   | 1   | TH18-100-54     | 842205 Die Bowl Grease       |
| 12   | 1   | **Contact Parker for Availability** |                        |      |     |                 |                              |

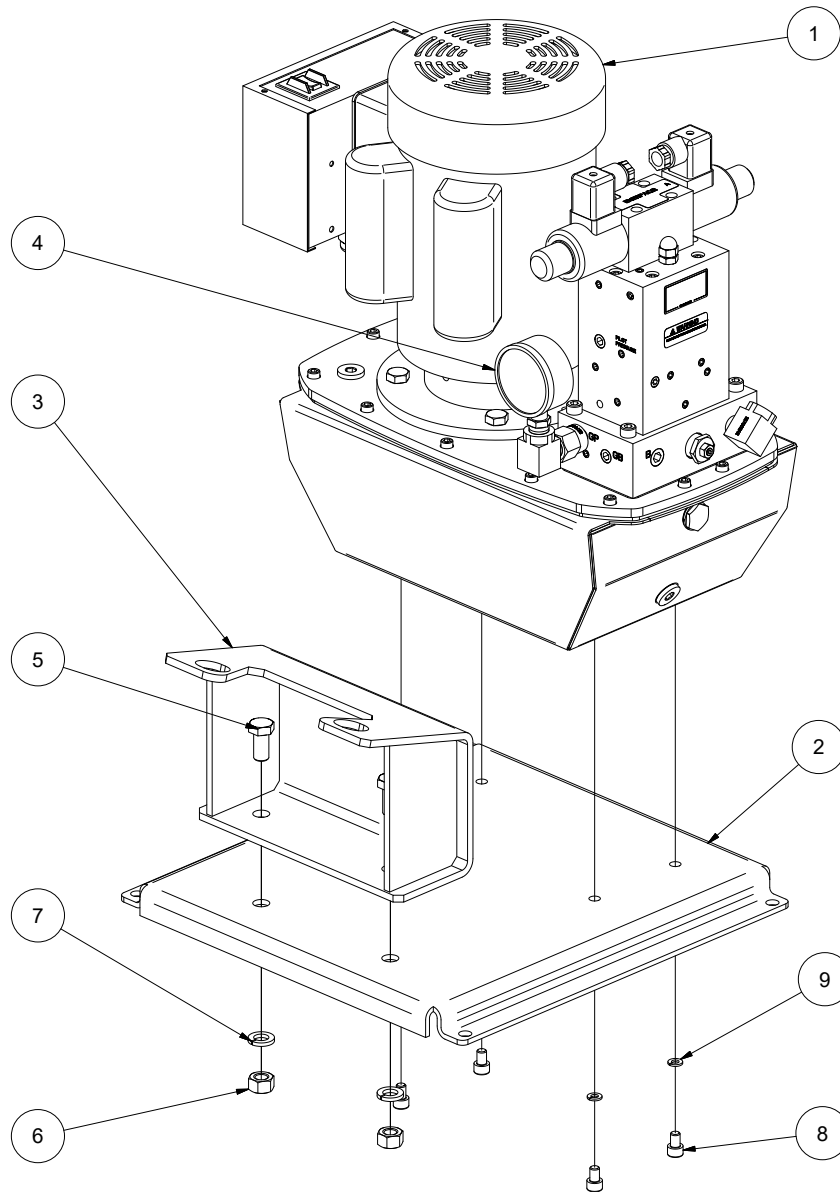
Assembly Detail & Parts List

82C-KKB



Assembly Detail & Parts List

85C-ZMS



| ITEM | QTY | PART NUMBER | DESCRIPTION   |
|------|-----|-------------|---|
| 1    | 1   | 85C-ZMS-1   | Enerpac Power Unit  |
| 2    | 1   | 85C-BPT     | Base Mount  |
| 3    | 1   | 85C-BRK     | Bracket   |
| 4    | 1   | 85C-GAU     | Pressure Gauge  |
| 5    | 2   | Any         | 1/2-13 x 1" Grade 5 Finished Hex Cap Screw                                  |
| 6    | 2   | Any         | 1/2-13 Grade 5 Finished Hex Nut   |
| 7    | 2   | Any         | 1/2" Spring Lock Washer   |
| 8    | 4   | Any         | M8 x 1.25 x 12 mm Socket Cap Screw  |
| 9    | 4   | Any         | M8 or 5/16" Spring Lock Washer  |
| 10   | 2   | Any         | 1-14 Grade 5 Finished Hex Jam Nut (Not Shown)                               |
| 11   | 1   | 85C-03L     | Parker Energy Products Division HP80101060604-36" Hose Assembly (Not Shown) |
| 12   | 1   | Enerpac     | Reservoir Breather Cap (Not Shown)  |



**If you have a problem with your Karrykrimp machine:**

- First check that the proper tooling, hose and fitting combinations are being used.
- Then check the following recommendations. If after the following suggested remedy, the problem persists, call our Technical Service Department at (440) 943-5700.

| Symptoms  | Possible Causes  | What To Do   |
|---|--|--|
| Coupling crimp diameter above or below specification. | Wrong fitting style being used.  | Only approved fittings can be used with Karrykrimp machine. For a complete selection and correct combinations of hose and fittings, see Catalog 4400.  |
|   | Wrong hose being used.   | Only approved hoses can be used with Karrykrimp machine. For a complete selection and correct combinations of hose and fittings, see Catalog 4400.   |
|   | Wrong die ring being used.   | Refer to die selection chart or Catalog 4400 for correct die ring.   |
|   | Pusher is not being bottomed out on die ring and base plate completely (usually inconsistent crimp diameters). | Lubricate die cavity with approved MOLY-GRADE lithium grease such as Citgo Lithoplex MP2, Dow Corning Molykote GN Assembly Paste or equivalent. Bottom out pusher on the die ring completely.  |
|   | High or low voltage.   | Call a qualified electrician.  |
|   | Crimp dies, die rings damaged, worn, or faulty.  | Visually inspect all wear surfaces for raised metal dents or gouges. Replace damaged die sets and die rings. Worn or faulty die sets with crimp above or below specifications by the same amount with and without the die ring. Replace worn or faulty die sets.   |
|   | Die cavity in base plate worn or faulty.   | Check crimp diameter of several different sizes of die sets with both the silver and black die rings. If all crimp diameters are out of specification by the same amount, the die cavity in the base plate may be out of specification. Contact Technical Services Department at (440) 943-5700.<br><br>Lubricate the die cavity in base plate frequently to prevent wear. |

**Maintenance**

---

**Maintenance**

- Frequently inspect all system components (e.g., crimp bowls, dies, die rings, pusher, hoses, electrical cords) for signs of excessive wear, leakage or damage. Replace any worn or damaged component immediately. Any electrical repair or replacement may only be performed by a qualified electrician, adhering to all applicable local and national codes.

**DO NOT CONTINUE TO USE MACHINE WITH DAMAGED COMPONENTS.**

- Check hydraulic fluid level every 40 hours of operation. Oil should be visible in the reservoir sight glass. Add Enerpac HF oil if necessary by removing the fill port cap. Always be sure the cylinder is fully retracted before adding fluid to the reservoir.
- Completely drain and clean the reservoir, reservoir magnet and pick-up screen every 1000 hours of use or more frequently if machine is used in dirty environments. Refill the reservoir with Enerpac HF oil. The reservoir is full when visible in the sight glass.
- Turn the machine off when not in use. Allowing the machine to run continuously when not in use, may cause overheating. If oil temperature rises to 140°F, turn machine off and let cool to 120°F.
- Clean the crimp bowls of old grease on a weekly basis. Re-grease the crimp bowls after the bowl has been cleaned.
- Apply approved MOLY-GRADE lithium grease such as Citgo Lithoplex MP2, Dow Corning Molykote GN Assembly Paste or equivalent to the dies and crimp bowl each time the dies are changed. If dies are not changed through a day's operation, grease should be applied twice a day.
- In addition to the above preventative maintenance, it is strongly recommended that the machine crimp head be inspected and serviced every 5-6 years. Contact Parker Hose Products Division Technical Services department for crimper service information.

# Safety Guide for Selecting and Using Hose, Fittings and Related Accessories



## Parker Safety Guide for Selecting and Using Hose, Tubing, Fittings, Connectors, Conductors, Valves and Related Accessories

Parker Publication No. 4400-B.1

**WARNING:** Failure or improper selection or improper use of hose, tubing, fittings, assemblies, valves, connectors, conductors or related accessories (“Products”) can cause death, personal injury and property damage. Possible consequences of failure or improper selection or improper use of these Products include but are not limited to:

- Fittings thrown off at high speed.
- High velocity fluid discharge.
- Explosion or burning of the conveyed fluid.
- Electrocutation from high voltage electric powerlines.
- Contact with suddenly moving or falling objects that are controlled by the conveyed fluid.
- Injections by high-pressure fluid discharge.
- Dangerously whipping Hose.
- Tube or pipe burst.
- Weld joint fracture.
- Contact with conveyed fluids that may be hot, cold, toxic or otherwise injurious.
- Sparking or explosion caused by static electricity buildup or other sources of electricity.
- Sparking or explosion while spraying paint or flammable liquids.
- Injuries resulting from inhalation, ingestion or exposure to fluids.

Before selecting or using any of these Products, it is important that you read and follow the instructions below. No product from any division in Parker Fluid Connectors Group is approved for in-flight aerospace applications. For hoses and fittings used in in-flight aerospace applications, please contact Parker Aerospace Group.

### 1.0 GENERAL INSTRUCTIONS

**1.1 Scope:** This safety guide provides instructions for selecting and using (including assembling, installing, and maintaining) these Products. For convenience, all rubber and/or thermoplastic products commonly called “hose” or “tubing” are called “Hose” in this safety guide. Metallic tube or pipe are called “tube”. All assemblies made with Hose are called “Hose Assemblies”. All assemblies made with Tube are called “Tube Assemblies”. All products commonly called “fittings”, “couplings” or “adapters” are called “Fittings”. Valves are fluid system components that control the passage of fluid. Related accessories are ancillary devices that enhance or monitor performance including crimping, flaring, flanging, presetting, bending, cutting, deburring, swaging machines, sensors, tags, lockout handles, spring guards and associated tooling. This safety guide is a supplement to and is to be used with the specific Parker publications for the specific Hose, Fittings and Related Accessories that are being considered for use. Parker publications are available at [www.parker.com](http://www.parker.com). SAE J1273 ([www.sae.org](http://www.sae.org)) and ISO 17165-2 ([www.ansi.org](http://www.ansi.org)) also provide recommended practices for hydraulic Hose Assemblies, and should be followed.

**1.2 Fail-Safe:** Hose, Hose Assemblies, Tube, Tube Assemblies and Fittings can and do fail without warning for many reasons. Design all systems and equipment in a fail-safe mode, so that failure of the Hose, Hose Assembly, Tube, Tube Assembly or Fitting will not endanger persons or property.

**1.3 Distribution:** Provide a copy of this safety guide to each person responsible for selecting or using Hose, Tube and Fitting products. Do not select or use Parker Hose, Tube or Fittings without thoroughly reading and understanding this safety guide as well as the specific Parker publications for the Products.

**1.4 User Responsibility:** Due to the wide variety of operating conditions and applications for Hose, Tube and Fittings. Parker does not represent or warrant that any particular Hose, Tube or Fitting is suitable for any specific end use system. This safety guide does not analyze all technical parameters that must be considered in selecting a product. The user, through its own analysis and testing, is solely responsible for:

- Making the final selection of the Products.
- Assuring that the user’s requirements are met and that the application presents no health or safety hazards.
- Following the safety guide for Related Accessories and being trained to operate Related Accessories.
- Providing all appropriate health and safety warnings on the equipment on which the Products are used.
- Assuring compliance with all applicable government and industry standards.

**1.5 Additional Questions:** Call the appropriate Parker technical service department if you have any questions or require any additional information. See the Parker publication for the Products being considered or used, or call 1-800-CPARKER, or go to [www.parker.com](http://www.parker.com), for telephone numbers of the appropriate technical service department.

### 2.0 HOSE, TUBE AND FITTINGS SELECTION INSTRUCTIONS

**2.1 Electrical Conductivity:** Certain applications require that the Hose be nonconductive to prevent electrical current flow. Other applications require the Hose and the Fittings and the Hose/Fitting interface to be sufficiently conductive to drain off static electricity. Extreme care must be exercised when selecting Hose, Tube and Fittings for these or any other applications in which electrical conductivity or nonconductivity is a factor.

The electrical conductivity or nonconductivity of Hose, Tube and Fittings is dependent upon many factors and may be susceptible to change. These factors include but are not limited to the various materials used to make the Hose and the Fittings, Fitting finish (some Fitting finishes are electrically conductive while others are nonconductive), manufacturing methods (including moisture control), how the Fittings contact the Hose, age and amount of deterioration or damage or other changes, moisture content of the Hose at any particular time, and other factors.

The following are considerations for electrically nonconductive and conductive Hose. For other applications consult the individual catalog pages and the appropriate industry or regulatory standards for proper selection.

**2.1.1 Electrically Nonconductive Hose:** Certain applications require that the Hose be nonconductive to prevent electrical current flow or to maintain electrical isolation. For applications that require Hose to be electrically nonconductive, including but not limited to applications near high voltage electric lines, only special nonconductive Hose can be used. The manufacturer of the equipment in which the nonconductive Hose is to be used must be consulted to be certain that the Hose, Tube and Fittings that are selected are proper for the application. Do not use any Parker Hose or Fittings for any such application requiring nonconductive Hose, including but not limited to applications near high voltage electric lines or dense magnetic fields, unless (i) the application is expressly approved in the Parker technical publication for the product, (ii) the Hose is marked “nonconductive”, and (iii) the manufacturer of the equipment on which the Hose is to be used specifically approves the particular Parker Hose, Tube and Fittings for such use.

**2.1.2 Electrically Conductive Hose:** Parker manufactures special Hose for certain applications that require electrically conductive Hose. Parker manufactures special Hose for conveying paint in airless paint spraying applications. This Hose is labeled “Electrically Conductive Airless Paint Spray Hose” on its lay-line and packaging. This Hose must be properly connected to the appropriate Parker Fittings and properly grounded in order to dissipate dangerous static charge buildup, which occurs in all airless paint spraying applications. Do not use any other Hose for airless paint spraying, even if electrically conductive. Use of any other Hose or failure to properly connect the Hose can cause a fire or an explosion resulting in death, personal injury, and property damage. All hoses that convey fuels must be grounded.

Parker manufactures a special Hose for certain compressed natural gas (“CNG”) applications where static electricity buildup may occur. Parker CNG Hose assemblies comply with the requirements of ANSI/IAS NGV 4.2; CSA 12.52, “Hoses for Natural Gas Vehicles and Dispensing Systems” ([www.ansi.org](http://www.ansi.org)). This Hose is labeled “Electrically Conductive for CNG Use”

## Safety Guide for Selecting and Using Hose, Fittings and Related Accessories

on its layline and packaging. This Hose must be properly connected to the appropriate Parker Fittings and properly grounded in order to dissipate dangerous static charge buildup, which occurs in, for example, high velocity CNG dispensing or transfer. Do not use any other Hose for CNG applications where static charge buildup may occur, even if electrically conductive. Use of other Hoses in CNG applications or failure to properly connect or ground this Hose can cause a fire or an explosion resulting in death, personal injury, and property damage. Care must also be taken to protect against CNG permeation through the Hose wall. See section 2.6, Permeation, for more information. Parker CNG Hose is intended for dispenser and vehicle use within the specified temperature range. Parker CNG Hose should not be used in confined spaces or unventilated areas or areas exceeding the specified temperature range. Final assemblies must be tested for leaks. CNG Hose Assemblies should be tested on a monthly basis for conductivity per ANSI/IAS NGV 4.2; CSA 12.52.

Parker manufactures special Hose for aerospace in-flight applications. Aerospace in-flight applications employing Hose to transmit fuel, lubricating fluids and hydraulic fluids require a special Hose with a conductive inner tube. This Hose for in-flight applications is available only from Parker's Stratoflex Products Division. Do not use any other Parker Hose for in-flight applications, even if electrically conductive. Use of other Hoses for in-flight applications or failure to properly connect or ground this Hose can cause a fire or an explosion resulting in death, personal injury and property damage. These Hose assemblies for in-flight applications must meet all applicable aerospace industry, aircraft engine and aircraft requirements.

- 2.2 Pressure:** Hose, Tube and Fitting selection must be made so that the published maximum working pressure of the Hose, Tube and Fittings are equal to or greater than the maximum system pressure. The maximum working pressure of a Hose, or Tube Assembly is the lower of the respective published maximum working pressures of the Hose, Tube and the Fittings used. Surge pressures or peak transient pressures in the system must be below the published maximum working pressure for the Hose, Tube and Fitting. Surge pressures and peak pressures can usually only be determined by sensitive electrical instrumentation that measures and indicates pressures at millisecond intervals. Mechanical pressure gauges indicate only average pressures and cannot be used to determine surge pressures or peak transient pressures. Published burst pressure ratings for Hose is for manufacturing test purposes only and is no indication that the Product can be used in applications at the burst pressure or otherwise above the published maximum recommended working pressure.
- 2.3 Suction:** Hoses used for suction applications must be selected to insure that the Hose will withstand the vacuum and pressure of the system. Improperly selected Hose may collapse in suction application.
- 2.4 Temperature:** Be certain that fluid and ambient temperatures, both steady and transient, do not exceed the limitations of the Hose, Tube, Fitting and Seals. Temperatures below and above the recommended limit can degrade Hose, Tube, Fittings and Seals to a point where a failure may occur and release fluid. Tube and Fittings performances are normally degraded at elevated temperature. Material compatibility can also change at temperatures outside of the rated range. Properly insulate and protect the Hose Assembly when routing near hot objects (e.g. manifolds). Do not use any Hose in any application where failure of the Hose could result in the conveyed fluids (or vapors or mist from the conveyed fluids) contacting any open flame, molten metal, or other potential fire ignition source that could cause burning or explosion of the conveyed fluids or vapors.
- 2.5 Fluid Compatibility:** Hose, and Tube Assembly selection must assure compatibility of the Hose tube, cover, reinforcement, Tube, Plating and Seals with the fluid media used. See the fluid compatibility chart in the Parker publication for the product being considered or used. This information is offered only as a guide. Actual service life can only be determined by the end user by testing under all extreme conditions and other analysis.
- Hose, and Tube that is chemically compatible with a particular fluid must be assembled using Fittings and adapters containing likewise compatible seals. Flange or flare processes can change Tube material properties that may not be compatible with certain requirements such as NACE
- 2.6 Permeation:** Permeation (that is, seepage through the Hose or Seal) will occur from inside the Hose or Fitting to outside when Hose or Fitting is used with gases, liquid and gas fuels, and refrigerants (including but not limited to such materials as helium, diesel fuel, gasoline, natural gas, phosphate esters, Skydrol, or LPG). This permeation may result in high concentrations of vapors which are potentially flammable, explosive, or toxic, and in loss of fluid. Dangerous explosions, fires, and other hazards can result when using the wrong Hose for such applications. The system designer must take into account the fact that this permeation

will take place and must not use Hose or Fitting if this permeation could be hazardous. The system designer must take into account all legal, government, insurance, or any other special regulations which govern the use of fuels and refrigerants. Never use a Hose or Fitting even though the fluid compatibility is acceptable without considering the potential hazardous effects that can result from permeation through the Hose or Tube Assembly.

Permeation of moisture from outside the Hose or Fitting to inside the Hose or Fitting will also occur in Hose or Tube assemblies, regardless of internal pressure. If this moisture permeation would have detrimental effects (particularly, but not limited to refrigeration and air conditioning systems), incorporation of sufficient drying capacity in the system or other appropriate system safeguards should be selected and used. The sudden pressure release of highly pressurized gas could also result in Explosive Decompression failure of permeated Seals and Hoses.

- 2.7 Size:** Transmission of power by means of pressurized fluid varies with pressure and rate of flow. The size of the components must be adequate to keep pressure losses to a minimum and avoid damage due to heat generation or excessive fluid velocity.
- 2.8 Routing:** Attention must be given to optimum routing to minimize inherent problems (kinking or flow restriction due to Hose collapse, twisting of the Hose, proximity to hot objects or heat sources). For additional routing recommendations see SAE J1273 and ISO 17165-2. Hose Assemblies have a finite life and should be installed in a manner that allows for ease of inspection and future replacement. Hose because of its relative short life, should not be used in residential and commercial buildings inside of inaccessible walls or floors, unless specifically allowed in the product literature. Always review all product literature for proper installation and routing instructions.
- 2.9 Environment:** Care must be taken to insure that the Hose, Tube and Fittings are either compatible with or protected from the environment (that is, surrounding conditions) to which they are exposed. Environmental conditions including but not limited to ultraviolet radiation, sunlight, heat, ozone, moisture, water, salt water, chemicals and air pollutants can cause degradation and premature failure.
- 2.10 Mechanical Loads:** External forces can significantly reduce Hose, Tube and Fitting life or cause failure. Mechanical loads which must be considered include excessive flexing, twist, kinking, tensile or side loads, bend radius, and vibration. Use of swivel type Fittings or adapters may be required to insure no twist is put into the Hose. Use of proper Hose or Tube clamps may also be required to reduce external mechanical loads. Unusual applications may require special testing prior to Hose selection.
- 2.11 Physical Damage:** Care must be taken to protect Hose from wear, snagging, kinking, bending smaller than minimum bend radius and cutting, any of which can cause premature Hose failure. Any Hose that has been kinked or bent to a radius smaller than the minimum bend radius, and any Hose that has been cut or is cracked or is otherwise damaged should be removed and discarded. Fittings with damages such as scratches on sealing surfaces and deformation should be replaced.
- 2.12 Proper End Fitting:** See instructions 3.2 through 3.5. These recommendations may be substantiated by testing to industry standards such as SAE J517 for hydraulic applications, or MIL-A-5070, AS1339, or AS3517 for Hoses from Parker's Stratoflex Products Division for aerospace applications.
- 2.13 Length:** When determining the proper Hose or Tube length of an assembly, be aware of Hose length change due to pressure, Tube length change due to thermal expansion or contraction, and Hose or Tube and machine tolerances and movement must be considered. When routing short hose assemblies, it is recommended that the minimum free hose length is always used. Consult the hose manufacturer for their minimum free hose length recommendations. Hose assemblies should be installed in such a way that any motion or flexing occurs within the same plane.
- 2.14 Specifications and Standards:** When selecting Hose, Tube and Fittings, government, industry, and Parker specifications and recommendations must be reviewed and followed as applicable.
- 2.15 Hose Cleanliness:** Hose and Tube components may vary in cleanliness levels. Care must be taken to insure that the Hose and Tube Assembly selected has an adequate level of cleanliness for the application.
- 2.16 Fire Resistant Fluids:** Some fire resistant fluids that are to be conveyed by Hose or Tube require use of the same type of Hose or Tube as used with petroleum base fluids. Some such fluids require a special Hose, Tube, Fitting and Seal, while a few fluids will not work with any Hose at all. See instructions 2.5 and 1.5. The wrong Hose, Tube, Fitting or Seal may fail after a very short service. In addition, all liquids but pure water may burn fiercely under certain conditions, and even pure water leakage may be hazardous.

## Safety Guide for Selecting and Using Hose, Fittings and Related Accessories

- 2.17 Radiant Heat:** Hose and Seals can be heated to destruction without contact by such nearby items as hot manifolds or molten metal. The same heat source may then initiate a fire. This can occur despite the presence of cool air around the Hose or Seal. Performance of Tube and Fitting subjected to the heat could be degraded.
- 2.18 Welding or Brazing:** When using a torch or arc welder in close proximity to hydraulic lines, the hydraulic lines should be removed or shielded with appropriate fire resistant materials. Flame or weld spatter could burn through the Hose or Seal and possibly ignite escaping fluid resulting in a catastrophic failure. Heating of plated parts, including Hose Fittings and adapters, above 450°F (232°C) such as during welding, brazing or soldering may emit deadly gases. Any elastomer seal on fittings shall be removed prior to welding or brazing, any metallic surfaces shall be protected after brazing or welding when necessary. Welding and brazing filler material shall be compatible with the Tube and Fitting that are joined.
- 2.19 Atomic Radiation:** Atomic radiation affects all materials used in Hose and Tube assemblies. Since the long-term effects may be unknown, do not expose Hose or Tube assemblies to atomic radiation. Nuclear applications may require special Tube and Fittings.
- 2.20 Aerospace Applications:** The only Hose, Tube and Fittings that may be used for in-flight aerospace applications are those available from Parker's Stratoflex Products Division. Do not use any other Hose or Fittings for in-flight applications. Do not use any Hose or Fittings from Parker's Stratoflex Products Division with any other Hose or Fittings, unless expressly approved in writing by the engineering manager or chief engineer of Stratoflex Products Division and verified by the user's own testing and inspection to aerospace industry standards.
- 2.21 Unlocking Couplings:** Ball locking couplings or other Fittings with quick disconnect ability can unintentionally disconnect if they are dragged over obstructions, or if the sleeve or other disconnect member, is bumped or moved enough to cause disconnect. Threaded Fittings should be considered where there is a potential for accidental uncoupling.
- 3.0 HOSE AND FITTINGS ASSEMBLY AND INSTALLATION INSTRUCTIONS**
- 3.1 Component Inspection:** Prior to assembly, a careful examination of the Hose and Fittings must be performed. All components must be checked for correct style, size, catalog number, and length. The Hose must be examined for cleanliness, obstructions, blisters, cover looseness, kinks, cracks, cuts or any other visible defects. Inspect the Fitting and sealing surfaces for burrs, nicks, corrosion or other imperfections. Do NOT use any component that displays any signs of nonconformance.
- 3.2 Hose and Fitting Assembly:** Do not assemble a Parker Fitting on a Parker Hose that is not specifically listed by Parker for that Fitting, unless authorized in writing by the engineering manager or chief engineer of the appropriate Parker division. Do not assemble a Parker Fitting on another manufacturer's Hose or a Parker Hose on another manufacturer's Fitting unless (i) the engineering manager or chief engineer of the appropriate Parker division approves the Assembly in writing or that combination is expressly approved in the appropriate Parker literature for the specific Parker product, and (ii) the user verifies the Assembly and the application through analysis and testing. For Parker Hose that does not specify a Parker Fitting, the user is solely responsible for the selection of the proper Fitting and Hose Assembly procedures. See instruction 1.4.
- To prevent the possibility of problems such as leakage at the Fitting or system contamination, it is important to completely remove all debris from the cutting operation before installation of the Fittings. The Parker published instructions must be followed for assembling the Fittings on the Hose. These instructions are provided in the Parker Fitting catalog for the specific Parker Fitting being used, or by calling 1-800-CPARKER, or at [www.parker.com](http://www.parker.com).
- 3.3 Related Accessories:** Do not crimp or swage any Parker Hose or Fitting with anything but the listed swage or crimp machine and dies in accordance with Parker published instructions. Do not crimp or swage another manufacturer's Fitting with a Parker crimp or swage die unless authorized in writing by the engineering manager or chief engineer of the appropriate Parker division.
- 3.4 Parts:** Do not use any Parker Fitting part (including but not limited to socket, shell, nipple, or insert) except with the correct Parker mating parts, in accordance with Parker published instructions, unless authorized in writing by the engineering manager or chief engineer of the appropriate Parker division.
- 3.5 Field Attachable/Permanent:** Do not reuse any field attachable Hose Fitting that has blown or pulled off a Hose. Do not reuse a Parker permanent Hose Fitting (crimped or swaged) or any part thereof. Complete Hose Assemblies may only be reused after proper inspection under section 4.0. Do not assemble Fittings to any previously used hydraulic Hose that was in service, for use in a fluid power application.
- 3.6 Pre-Installation Inspection:** Prior to installation, a careful examination of the Hose Assembly must be performed. Inspect the Hose Assembly for any damage or defects. DO NOT use any Hose Assembly that displays any signs of nonconformance.
- 3.7 Minimum Bend Radius:** Installation of a Hose at less than the minimum listed bend radius may significantly reduce the Hose life. Particular attention must be given to preclude sharp bending at the Hose to Fitting juncture. Any bending during installation at less than the minimum bend radius must be avoided. If any Hose is kinked during installation, the Hose must be discarded.
- 3.8 Twist Angle and Orientation:** Hose Assembly installation must be such that relative motion of machine components does not produce twisting.
- 3.9 Securement:** In many applications, it may be necessary to restrain, protect, or guide the Hose to protect it from damage by unnecessary flexing, pressure surges, and contact with other mechanical components. Care must be taken to insure such restraints do not introduce additional stress or wear points.
- 3.10 Proper Connection of Ports:** Proper physical installation of the Hose Assembly requires a correctly installed port connection insuring that no twist or torque is transferred to the Hose when the Fittings are being tightened or otherwise during use.
- 3.11 External Damage:** Proper installation is not complete without insuring that tensile loads, side loads, kinking, flattening, potential abrasion, thread damage or damage to sealing surfaces are corrected or eliminated. See instruction 2.10.
- 3.12 System Checkout:** All air entrapment must be eliminated and the system pressurized to the maximum system pressure (at or below the Hose maximum working pressure) and checked for proper function and freedom from leaks. Personnel must stay out of potential hazardous areas while testing and using.
- 3.13 Routing:** The Hose Assembly should be routed in such a manner so if a failure does occur, the escaping media will not cause personal injury or property damage. In addition, if fluid media comes in contact with hot surfaces, open flame or sparks, a fire or explosion may occur. See section 2.4.
- 3.14 Ground Fault Equipment Protection Devices (GFEEDs): WARNING! Fire and Shock Hazard.** To minimize the danger of fire if the heating cable of a Multitube bundle is damaged or improperly installed, use a Ground Fault Equipment Protection Device. Electrical fault currents may be insufficient to trip a conventional circuit breaker.
- For ground fault protection, the IEEE 515:** ([www.ansi.org](http://www.ansi.org)) standard for heating cables recommends the use of GFEEDs with a nominal 30 milliampere trip level for "piping systems in classified areas, those areas requiring a high degree of maintenance, or which may be exposed to physical abuse or corrosive atmospheres".
- 4.0 TUBE AND FITTINGS ASSEMBLY AND INSTALLATION INSTRUCTIONS**
- 4.1 Component Inspection:** Prior to assembly, a careful examination of the Tube and Fittings must be performed. All components must be checked for correct style, size, material, seal, and length. Inspect the Fitting and sealing surfaces for burrs, nicks, corrosion, missing seal or other imperfections. Do NOT use any component that displays any signs of nonconformance.
- 4.2 Tube and Fitting Assembly:** Do not assemble a Parker Fitting with a Tube that is not specifically listed by Parker for that Fitting, unless authorized in writing by the engineering manager or chief engineer of the appropriate Parker division. The Tube must meet the requirements specified to the Fitting.
- The Parker published instructions must be followed for assembling the Fittings to a Tube. These instructions are provided in the Parker Fitting catalog for the specific Parker Fitting being used, or by calling 1-800-CPARKER, or at [www.parker.com](http://www.parker.com).
- 4.3 Related Accessories:** Do not preset or flange Parker Fitting components using another manufacturer's equipment or procedures unless authorized in writing by the engineering manager or chief engineer of the appropriate Parker division. Tube, Fitting component and tooling must be checked for correct style, size and material. Operation and maintenance of Related Accessories must be in accordance with the operation manual for the designated Accessory.
- 4.4 Securement:** In many applications, it may be necessary to restrain, protect, or guide the Tube to protect it from damage by unnecessary flexing, pressure surges, vibration, and contact with other mechanical components. Care must be taken to insure such restraints do not introduce additional stress or wear points.

# Safety Guide for Selecting and Using Hose, Fittings and Related Accessories

- 4.5 **Proper Connection of Ports:** Proper physical installation of the Tube Assembly requires a correctly installed port connection insuring that no torque is transferred to the Tube when the Fittings are being tightened or otherwise during use.
- 4.6 **External Damage:** Proper installation is not complete without insuring that tensile loads, side loads, flattening, potential abrasion, thread damage or damage to sealing surfaces are corrected or eliminated. See instruction 2.10.
- 4.7 **System Checkout:** All air entrapment must be eliminated and the system pressurized to the maximum system pressure (at or below the Tube Assembly maximum working pressure) and checked for proper function and freedom from leaks. Personnel must stay out of potential hazardous areas while testing and using.
- 4.8 **Routing:** The Tube Assembly should be routed in such a manner so if a failure does occur, the escaping media will not cause personal injury or property damage. In addition, if fluid media comes in contact with hot surfaces, open flame or sparks, a fire or explosion may occur. See section 2.4.
- 5.0 **HOSE AND FITTING MAINTENANCE AND REPLACEMENT INSTRUCTIONS**
- 5.1 Even with proper selection and installation, Hose life may be significantly reduced without a continuing maintenance program. The severity of the application, risk potential from a possible Hose failure, and experience with any Hose failures in the application or in similar applications should determine the frequency of the inspection and the replacement for the Products so that Products are replaced before any failure occurs. Certain products require maintenance and inspection per industry requirements. Failure to adhere to these requirements may lead to premature failure. A maintenance program must be established and followed by the user and, at minimum, must include instructions 5.2 through 5.7
- 5.2 **Visual Inspection Hose/Fitting:** Any of the following conditions require immediate shut down and replacement of the Hose Assembly:
  - Fitting slippage on Hose;
  - Damaged, cracked, cut or abraded cover (any reinforcement exposed);
  - Hard, stiff, heat cracked, or charred Hose;
  - Cracked, damaged, or badly corroded Fittings;
  - Leaks at Fitting or in Hose;
  - Kinked, crushed, flattened or twisted Hose; and
  - Blistered, soft, degraded, or loose cover.
- 5.3 **Visual Inspection All Other:** The following items must be tightened, repaired, corrected or replaced as required:
  - Leaking port conditions;
  - Excess dirt buildup;/
  - Worn clamps, guards or shields; and
  - System fluid level, fluid type, and any air entrapment.
- 5.4 **Functional Test:** Operate the system at maximum operating pressure and check for possible malfunctions and leaks. Personnel must avoid potential hazardous areas while testing and using the system. See section 2.2.
- 5.5 **Replacement Intervals:** Hose assemblies and elastomeric seals used on Hose Fittings and adapters will eventually age, harden, wear and deteriorate under thermal cycling and compression set. Hose Assemblies and elastomeric seals should be inspected and replaced at specific replacement intervals, based on previous service life, government or industry recommendations, or when failures could result in unacceptable downtime, damage, or injury risk. See section 1.2. Hose and Fittings may be subjected to internal mechanical and/or chemical wear from the conveying fluid and may fail without warning. The user must determine the product life under such circumstances by testing. Also see section 2.5.
- 5.6 **Hose Inspection and Failure:** Hydraulic power is accomplished by utilizing high pressure fluids to transfer energy and do work. Hoses, Fittings and Hose Assemblies all contribute to this by transmitting fluids at high pressures. Fluids under pressure can be dangerous and potentially lethal and, therefore, extreme caution must be exercised when working with fluids under pressure and handling the Hoses transporting the fluids. From time to time, Hose

Assemblies will fail if they are not replaced at proper time intervals. Usually these failures are the result of some form of misapplication, abuse, wear or failure to perform proper maintenance. When Hoses fail, generally the high pressure fluids inside escape in a stream which may or may not be visible to the user. Under no circumstances should the user attempt to locate the leak by "feeling" with their hands or any other part of their body. High pressure fluids can and will penetrate the skin and cause severe tissue damage and possibly loss of limb. Even seemingly minor hydraulic fluid injection injuries must be treated immediately by a physician with knowledge of the tissue damaging properties of hydraulic fluid.

If a Hose failure occurs, immediately shut down the equipment and leave the area until pressure has been completely released from the Hose Assembly. Simply shutting down the hydraulic pump may or may not eliminate the pressure in the Hose Assembly. Many times check valves, etc., are employed in a system and can cause pressure to remain in a Hose Assembly even when pumps or equipment are not operating. Tiny holes in the Hose, commonly known as pinholes, can eject small, dangerously powerful but hard to see streams of hydraulic fluid. It may take several minutes or even hours for the pressure to be relieved so that the Hose Assembly may be examined safely.

Once the pressure has been reduced to zero, the Hose Assembly may be taken off the equipment and examined. It must always be replaced if a failure has occurred. Never attempt to patch or repair a Hose Assembly that has failed. Consult the nearest Parker distributor or the appropriate Parker division for Hose Assembly replacement information.

Never touch or examine a failed Hose Assembly unless it is obvious that the Hose no longer contains fluid under pressure. The high pressure fluid is extremely dangerous and can cause serious and potentially fatal injury.

- 5.7 **Elastomeric seals:** Elastomeric seals will eventually age, harden, wear and deteriorate under thermal cycling and compression set. Elastomeric seals should be inspected and replaced.
- 5.8 **Refrigerant gases:** Special care should be taken when working with refrigeration systems. Sudden escape of refrigerant gases can cause blindness if the escaping gases contact the eye and can cause freezing or other severe injuries if it contacts any other portion of the body.
- 5.9 **Compressed natural gas (CNG):** Parker CNG Hose Assemblies should be tested after installation and before use, and at least on a monthly basis per instructions provided on the Hose Assembly tag. The recommended procedure is to pressurize the Hose and check for leaks and to visually inspect the Hose for damage and to perform an electrical resistance test.
  - Caution:** Matches, candles, open flame or other sources of ignition shall not be used for Hose inspection. Leak check solutions should be rinsed off after use.
- 6.0 **HOSE STORAGE**
- 6.1 **Age Control:** Hose and Hose Assemblies must be stored in a manner that facilitates age control and first-in and first-out usage based on manufacturing date of the Hose and Hose Assemblies. Unless otherwise specified by the manufacturer or defined by local laws and regulations:
  - 6.1.1 The shelf life of rubber hose in bulk form or hose made from two or more materials is 28 quarters (7 years) from the date of manufacture, with an extension of 12 quarters (3 years), if stored in accordance with ISO 2230;
  - 6.1.2 The shelf life of thermoplastic and polytetrafluoroethylene hose is considered to be unlimited;
  - 6.1.3 Hose assemblies that pass visual inspection and proof test shall not be stored for longer than 2 years.
  - 6.1.4 **Storage:** Stored Hose and Hose Assemblies must not be subjected to damage that could reduce their expected service life and must be placed in a cool, dark and dry area with the ends capped. Stored Hose and Hose Assemblies must not be exposed to temperature extremes, ozone, oils, corrosive liquids or fumes, solvents, high humidity, rodents, insects, ultraviolet light, electromagnetic fields or radioactive materials.

|                                  |                              |                              |                                      |   |
|----------------------------------|------------------------------|------------------------------|--------------------------------------|---|
| <b>Issue Date</b><br>24-SEP-2015 | <b>ECO Number:</b><br>XXXXXX | <b>Revision Letter:</b><br>A | <b>Revision Date:</b><br>30-OCT-2015 | <b>Specification</b><br>FC-Safety Guide |
|----------------------------------|------------------------------|------------------------------|--------------------------------------|---|

THIS DOCUMENT CONTAINS INFORMATION THAT IS CONFIDENTIAL AND PROPRIETARY TO PARKER HANNIFIN. THIS DOCUMENT IS FURNISHED ON THE UNDERSTANDING THAT THE DOCUMENT AND THE INFORMATION IT CONTAINS WILL NOT BE COPIED OR DISCLOSED TO OTHERS EXCEPT WITH THE WRITTEN CONSENT OF PARKER. WILL NOT BE USED FOR ANY PURPOSE OTHER THAN CONDUCTING BUSINESS WITH PARKER, AND WILL BE RETURNED AND ALL FURTHER USE DISCONTINUED UPON REQUEST BY PARKER. COPYRIGHT PARKER. YEAR OF COPYRIGHT IS FIRST YEAR INDICATED ON THIS DOCUMENT. ALL RIGHTS RESERVED





## Offer of Sale

## Offer of Sale

1. **Definitions.** As used herein, the following terms have the meanings indicated.
- Buyer: means any customer receiving a Quote for Products from Seller.
- Goods: means any tangible part, system or component to be supplied by the Seller.
- Products: means the Goods, Services and/or Software as described in a Quote provided by the Seller.
- Quote: means the offer or proposal made by Seller to Buyer for the supply of Products.
- Seller: means Parker-Hannifin Corporation, including all divisions and businesses thereof.
- Services: means any services to be supplied by the Seller.
- Software: means any software related to the Products, whether embedded or separately downloaded.
- Terms: means the terms and conditions of this Offer of Sale or any newer version of the same as published by Seller electronically at [www.parker.com/saleterms](http://www.parker.com/saleterms).
2. **Terms.** All sales of Products by Seller are contingent upon, and will be governed by, these Terms and, these Terms are incorporated into any Quote provided by Seller to any Buyer. Buyer's order for any Products whether communicated to Seller verbally, in writing, by electronic data interface or other electronic commerce, shall constitute acceptance of these Terms. Seller objects to any contrary or additional terms or conditions of Buyer. Reference in Seller's order acknowledgement to Buyer's purchase order or purchase order number shall in no way constitute an acceptance of any of Buyer's terms of purchase. No modification to these Terms will be binding on Seller unless agreed to in writing and signed by an authorized representative of Seller.
3. **Price; Payment.** The Products set forth in Seller's Quote are offered for sale at the prices indicated in Seller's Quote. Unless otherwise specifically stated in Seller's Quote, prices are valid for thirty (30) days and do not include any sales, use, or other taxes or duties. Seller reserves the right to modify prices at any time to adjust for any raw material price fluctuations. Unless otherwise specified by Seller, all prices are F.C.A. Seller's facility (INCOTERMS 2010). All sales are contingent upon credit approval and payment for all purchases is due thirty (30) days from the date of invoice (or such date as may be specified in the Quote). Unpaid invoices beyond the specified payment date incur interest at the rate of 1.5% per month or the maximum allowable rate under applicable law.
4. **Shipment; Delivery; Title and Risk of Loss.** All delivery dates are approximate. Seller is not responsible for damages resulting from any delay. Regardless of the manner of shipment, delivery occurs and title and risk of loss or damage pass to Buyer, upon placement of the Products with the shipment carrier at Seller's facility. Unless otherwise agreed, Seller may exercise its judgment in choosing the carrier and means of delivery. No deferment of shipment at Buyers' request beyond the respective indicated shipping date will be made except on terms that will indemnify, defend and hold Seller harmless against all loss and additional expense. Buyer shall be responsible for any additional shipping charges incurred by Seller due to Buyer's acts or omissions.
5. **Warranty.** The warranty related to the Products is as follows: (i) Goods are warranted against defects in material or workmanship for a period of twelve (12) months from the date of delivery or 2,000 hours of use, whichever occurs first; (ii) Services shall be performed in accordance with generally accepted practices and using the degree of care and skill that is ordinarily exercised and customary in the field to which the Services pertain and are warranted for a period of six (6) months from the completion of the Services by Seller; and (iii) Software is only warranted to perform in accordance with applicable specifications provided by Seller to Buyer for ninety (90) days from the date of delivery or, when downloaded by a Buyer or end-user, from the date of the initial download. All prices are based upon the exclusive limited warranty stated above, and upon the following disclaimer:  
**DISCLAIMER OF WARRANTY: THIS WARRANTY IS THE SOLE AND ENTIRE WARRANTY PERTAINING TO PRODUCTS. SELLER DISCLAIMS ALL OTHER WARRANTIES, EXPRESS AND IMPLIED, INCLUDING DESIGN, NONINFRINGEMENT, MERCHANTABILITY, AND FITNESS FOR A PARTICULAR PURPOSE. SELLER DOES NOT WARRANT THAT THE SOFTWARE IS ERROR-FREE OR FAULT-TOLERANT, OR THAT BUYER'S USE THEREOF WILL BE SECURE OR UNINTERRUPTED. BUYER AGREES AND ACKNOWLEDGES THAT UNLESS OTHERWISE AUTHORIZED IN WRITING BY SELLER THE SOFTWARE SHALL NOT BE USED IN CONNECTION WITH HAZARDOUS OR HIGH RISK ACTIVITIES OR ENVIRONMENTS. EXCEPT AS EXPRESSLY STATED HEREIN, ALL PRODUCTS ARE PROVIDED "AS IS".**
6. **Claims; Commencement of Actions.** Buyer shall promptly inspect all Products upon receipt. No claims for shortages will be allowed unless reported to the Seller within ten (10) days of delivery. Buyer shall notify Seller of any alleged breach of warranty within thirty (30) days after the date the non-conformance is or should have been discovered by Buyer. Any claim or action against Seller based upon breach of contract or any other theory, including tort, negligence, or otherwise must be commenced within twelve (12) months from the date of the alleged breach or other alleged event, without regard to the date of discovery.
7. **LIMITATION OF LIABILITY.** IN THE EVENT OF A BREACH OF WARRANTY, SELLER WILL, AT ITS OPTION, REPAIR OR REPLACE THE NON-CONFORMING PRODUCT, RE-PERFORM THE SERVICES, OR REFUND THE PURCHASE PRICE PAID WITHIN A REASONABLE PERIOD OF TIME. **IN NO EVENT IS SELLER LIABLE FOR ANY SPECIAL, INDIRECT, INCIDENTAL OR CONSEQUENTIAL DAMAGES ARISING OUT OF, OR AS THE RESULT OF, THE SALE, DELIVERY, NON-DELIVERY, SERVICING, NON-COMPLETION OF SERVICES, USE, LOSS OF USE OF, OR INABILITY TO USE THE PRODUCTS OR ANY PART THEREOF, LOSS OF DATA, IDENTITY, PRIVACY, OR CONFIDENTIALITY, OR FOR ANY CHARGES OR EXPENSES OF ANY NATURE INCURRED WITHOUT SELLER'S WRITTEN CONSENT, WHETHER BASED IN CONTRACT, TORT OR OTHER LEGAL THEORY. IN NO EVENT SHALL SELLER'S LIABILITY UNDER ANY CLAIM MADE BY BUYER EXCEED THE PURCHASE PRICE PAID FOR THE PRODUCTS.**
8. **Loss to Buyer's Property.** Any designs, tools, patterns, materials, drawings, confidential information or equipment furnished by Buyer or any other items which are or become Buyer's property, will be considered obsolete and may be destroyed by Seller after two (2) consecutive years have elapsed without Buyer ordering the Products manufactured using such property. Seller shall not be responsible for any loss or damage to such property while it is in Seller's possession or control.
9. **Special Tooling.** Special Tooling includes but is not limited to tooling, jigs, fixtures and associated manufacturing equipment acquired or necessary to manufacture Products. A tooling charge may be imposed for any Special Tooling. Such Special Tooling shall be and remain Seller's property notwithstanding payment of any charges by Buyer. In no event will Buyer acquire any interest in Special Tooling belonging to Seller that is utilized in the manufacture of the Products, even if such Special Tooling has been specially converted or adapted for such manufacture and notwithstanding any charges paid by Buyer. Unless otherwise agreed, Seller has the right to alter, discard or otherwise dispose of any Special Tooling or other property in its sole discretion at any time.
10. **Security Interest.** To secure payment of all sums due, Seller retains a security interest in all Products delivered to Buyer and, Buyer's acceptance of these Terms is deemed to be a Security Agreement under the Uniform Commercial Code. Buyer authorizes Seller as its attorney to execute and file on Buyer's behalf all documents Seller deems necessary to perfect its security interest.
11. **User Responsibility.** The Buyer through its own analysis and testing, is solely responsible for making the final selection of the Products and assuring that all performance, endurance, maintenance, safety and warning requirements of the application of the Products are met. The Buyer must analyze all aspects of the application and follow applicable industry standards, specifications, and other technical information provided with the Product. If Seller provides Product options based upon data or specifications provided by the Buyer, the Buyer is responsible for determining that such data and specifications are suitable and sufficient for all applications and reasonably foreseeable uses of the Products. In the event the Buyer is not the end-user, Buyer will ensure such end-user complies with this paragraph.
12. **Use of Products, Indemnity by Buyer.** Buyer shall comply with all instructions, guides and specifications provided by Seller with the Products. **Unauthorized Uses.** If Buyer uses or resells the Products for any uses prohibited in Seller's instructions, guides or specifications, or Buyer otherwise fails to comply with Seller's instructions, guides and specifications, Buyer acknowledges that any such use, resale, or non-compliance is at Buyer's sole risk. Buyer shall indemnify, defend, and hold Seller harmless from any losses, claims, liabilities, damages, lawsuits, judgments and costs (including attorney fees and defense costs), whether for personal injury, property damage, intellectual property infringement or any other claim, brought by or incurred by Buyer, Buyer's employees, or any other person, arising out of: (a) improper selection, application, design, specification or other misuse of Products provided by Seller; (b) any act or omission, negligent or otherwise,

**Offer of Sale**

of Buyer; (c) Seller's use of patterns, tooling, equipment, plans, drawings, designs or specifications or other information or things furnished by Buyer; (d) damage to the Products from an external cause, repair or attempted repair by anyone other than Seller, failure to follow instructions, guides and specifications provided by Seller, use with goods not provided by Seller, or opening, modifying, deconstructing or tampering with the Products for any reason; or (e) Buyer's failure to comply with these Terms. Seller shall not indemnify Buyer under any circumstance except as otherwise provided in these Terms.

**13. Cancellations and Changes.** Buyer may not cancel or modify any order for any reason, except with Seller's written consent and upon terms that will indemnify, defend and hold Seller harmless against all direct, incidental and consequential loss or damage. Seller, at any time, may change Product features, specifications, designs and availability.

**14. Limitation on Assignment.** Buyer may not assign its rights or obligations without the prior written consent of Seller.

**15. Force Majeure.** Seller does not assume the risk and is not liable for delay or failure to perform any of Seller's obligations by reason of events or circumstances beyond its reasonable control ("Events of Force Majeure"). Events of Force Majeure shall include without limitation: accidents, strikes or labor disputes, acts of any government or government agency, acts of nature, delays or failures in delivery from carriers or suppliers, shortages of materials, or any other cause beyond Seller's reasonable control.

**16. Waiver and Severability.** Failure to enforce any provision of these Terms will not invalidate that provision; nor will any such failure prejudice Seller's right to enforce that provision in the future. Invalidation of any provision of these Terms by legislation or other rule of law shall not invalidate any other provision herein and, the remaining provisions will remain in full force and effect.

**17. Termination.** Seller may terminate any agreement governed by or arising from these Terms for any reason and at any time by giving Buyer thirty (30) days prior written notice. Seller may immediately terminate, in writing, if Buyer: (a) breaches any provision of these Terms (b) appoints a trustee, receiver or custodian for all or any part of Buyer's property (c) files a petition for relief in bankruptcy on its own behalf, or one if filed by a third party (d) makes an assignment for the benefit of creditors; or (e) dissolves its business or liquidates all or a majority of its assets.

**18. Ownership of Software.** Seller retains ownership of all Software supplied to Buyer hereunder. In no event shall Buyer obtain any greater right in and to the Software than a right in the nature of a license limited to the use thereof and subject to compliance with any other terms provided with the Software.

**19. Indemnity for Infringement of Intellectual Property Rights.** Seller is not liable for infringement of any patents, trademarks, copyrights, trade dress, trade secrets or similar rights ("Intellectual Property Rights") except as provided in this Section. Seller will defend at its expense and will pay the cost of any settlement or damages awarded in an action brought against Buyer based on a third party claim that one or more of the Products sold hereunder infringes the Intellectual Property Rights of a third party in the country of delivery of the Products by the Seller to the Buyer. Seller's obligation to defend and indemnify Buyer is contingent on Buyer notifying Seller within ten (10) days after Buyer becomes aware of any such claim, and Seller having sole control over the defense of the claim including all negotiations for settlement or compromise. If one or more Products sold hereunder is subject to such a claim, Seller may, at its sole expense and option, procure for Buyer the right to continue using the Products, replace or modify the Products so as to render them non-infringing, or offer to accept return of the Products and refund the purchase price less a reasonable allowance for depreciation. Seller has no obligation or liability for any claim of infringement: (i) arising from information provided by Buyer; or (ii) directed to any Products provided hereunder for which the designs are specified in whole or part by Buyer; or (iii) resulting from the modification, combination or use in a system of any Products provided hereunder. The foregoing provisions of this Section constitute Seller's sole and exclusive liability and Buyer's sole and exclusive remedy for such claims of infringement of Intellectual Property Rights.

**20. Governing Law.** These Terms and the sale and delivery of all Products are deemed to have taken place in, and shall be governed and construed in accordance with, the laws of the State of Ohio, as applicable to contracts executed and wholly performed therein and without regard to conflicts of laws principles. Buyer irrevocably agrees and consents to the exclusive jurisdiction and venue of the courts of Cuyahoga County, Ohio with respect to any dispute, controversy or claim arising out of or relating to the sale and delivery of the Products.

**21. Entire Agreement** These Terms, along with the terms set forth in the main body of any Quote, forms the entire agreement between the Buyer and Seller and constitutes the final, complete and exclusive expression of the terms of sale. In the event of a conflict between any term set forth in the main body of a

Quote and these Terms, the terms set forth in the main body of the Quote shall prevail. All prior or contemporaneous written or oral agreements or negotiations with respect to the subject matter shall have no effect. These Terms may not be modified unless in writing and signed by an authorized representative of Seller.

**22. Compliance with Laws.** Buyer agrees to comply with all applicable laws, regulations, and industry and professional standards, including those of the United States of America, and the country or countries in which Buyer may operate, including without limitation the U.S. Foreign Corrupt Practices Act ("FCPA"), the U.S. Anti-Kickback Act ("Anti-Kickback Act"), U.S. and E.U. export control and sanctions laws ("Export Laws"), the U.S. Food Drug and Cosmetic Act ("FDCA"), and the rules and regulations promulgated by the U.S. Food and Drug Administration ("FDA"), each as currently amended. Buyer agrees to indemnify, defend, and hold harmless Seller from the consequences of any violation of such laws, regulations and standards by Buyer, its employees or agents. Buyer acknowledges that it is familiar with all applicable provisions of the FCPA, the Anti-Kickback Act, Export Laws, the FDCA and the FDA and certifies that Buyer will adhere to the requirements thereof and not take any action that would make Seller violate such requirements. Buyer represents and agrees that Buyer will not make any payment or give anything of value, directly or indirectly, to any governmental official, foreign political party or official thereof, candidate for foreign political office, or commercial entity or person, for any improper purpose, including the purpose of influencing such person to purchase Products or otherwise benefit the business of Seller. Buyer further represents and agrees that it will not receive, use, service, transfer or ship any Product from Seller in a manner or for a purpose that violates Export Laws or would cause Seller to be in violation of Export Laws.

**Notes**



Parker Hannifin Corporation  
Hose Products Division  
30240 Lakeland Boulevard  
Wickliffe, OH 44092  
Phone: (440) 943-5700  
Fax: (440) 943-3129  
<http://www.parkerhose.com>

TM-KK Rev. H  
Bulletin 4480-T30-US 6/17  
©Parker Hannifin Corporation Printed in U.S.A